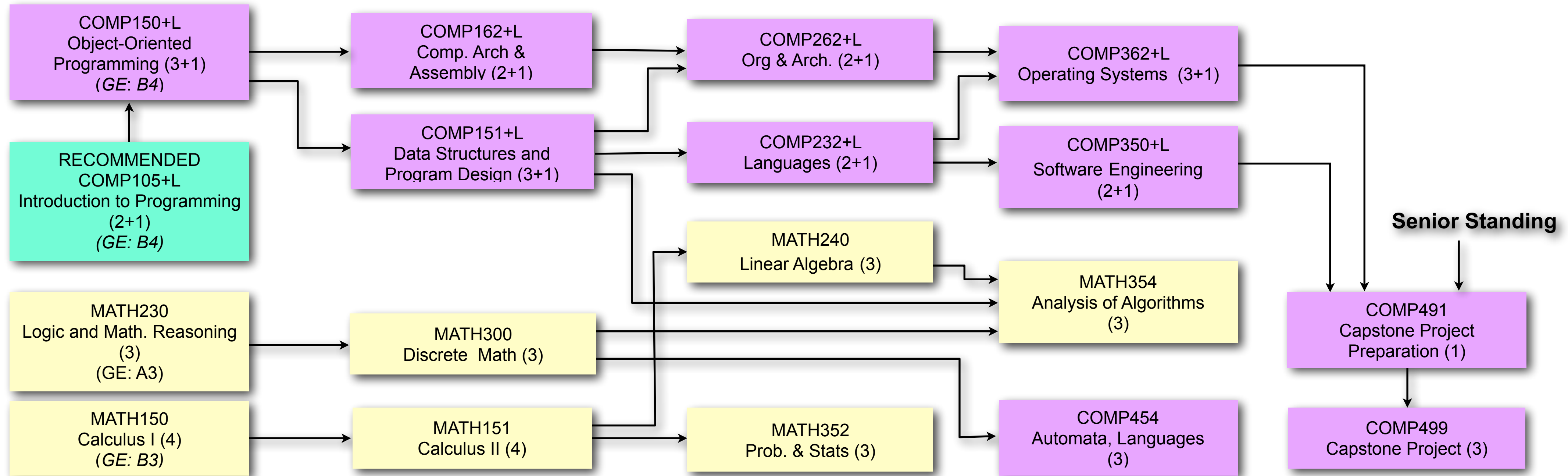


CSUCI COMPUTER SCIENCE B.S. DEGREE CHART

Total units: 120. C- or better grade required in all pre-requisite courses in the major.



General Education and American Institutions

40 units:

General Education (28)
American Institutions (6)
Elective Courses (6)

Recommended Interdisciplinary GE:

Outside the major

PHYS434 Biomedical Imaging (3) (GE: D)
MATH331 History of Mathematics (3) (GE: B3, D)

Inside the major

COMP337 Perspective on Computer Games (3) (GE: B4)
COMP437 Computer Game Design and Development (3) (GE: B4)
COMP449 Human-Computer Interaction (3) (GE: B4, E)

Laboratory Science

11 units from either (a) or (b)

(a)
PHYS200 General Physics I (4),
PHYS201 General Physics II (4),
and a course from GE section B-2.

(b)
PHYS200 General Physics I (4),
BIOL200 Principles of Organismal and
Population Biology (4),
BIOL212 Neurobiology and Cognitive
Science (3) (GE-B1 and B2).

Electives

12 units from:

COMP345 Digital Image Analysis (3)
COMP351 Distributed Computing (3)
COMP420+L Databases (2+1)
COMP421+L Unix for Programmers (2+1)
COMP424 Computer System Security (3)
COMP425 Computer Game Programming (3)
COMP429+L Computer Networks (2+1)
COMP445 Advanced Image Analysis and
Pattern Recognition (3)

COMP451 Advanced Object-Oriented
Programming (3)
COMP452 Computational Bioinformatics (3)
COMP462+L Embedded Systems (2+1)
COMP464+L Comp. Graphics I (2+1)
COMP466+L Comp. Graphics II (2+1)
COMP469+L Introduction to Artificial
Intelligence (2+1)
COMP478+L Introduction to Data Mining (2+1)